

Groove width based on formula

$$W = 1.56\sqrt{Rt}$$

where W = groove width

R = mean tube radius

t = tube wall thickness

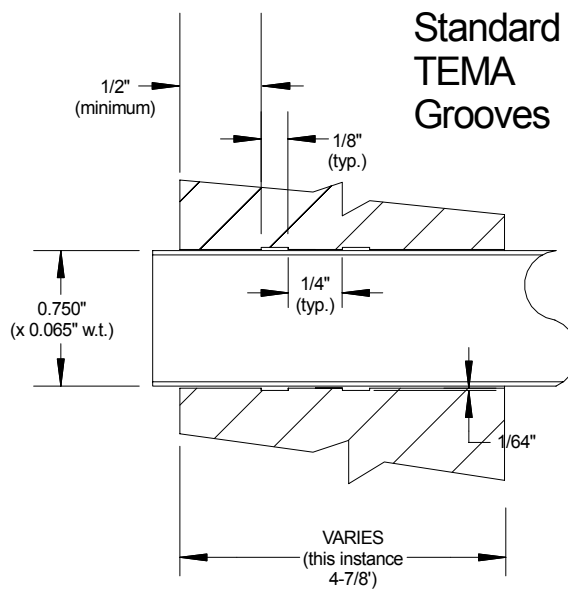
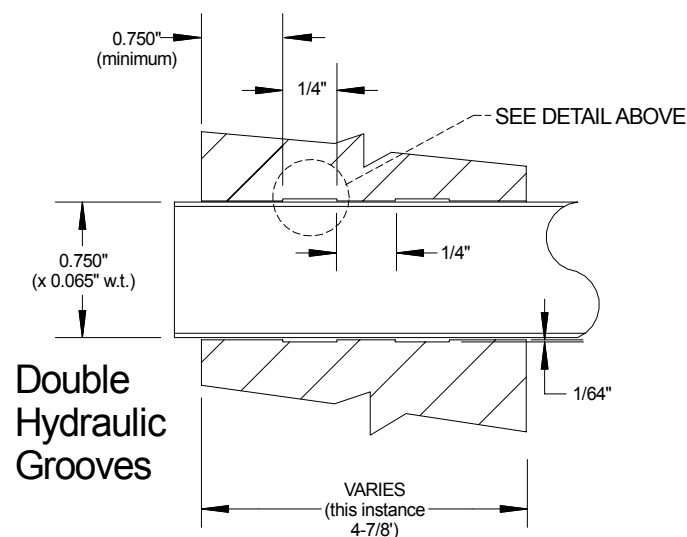
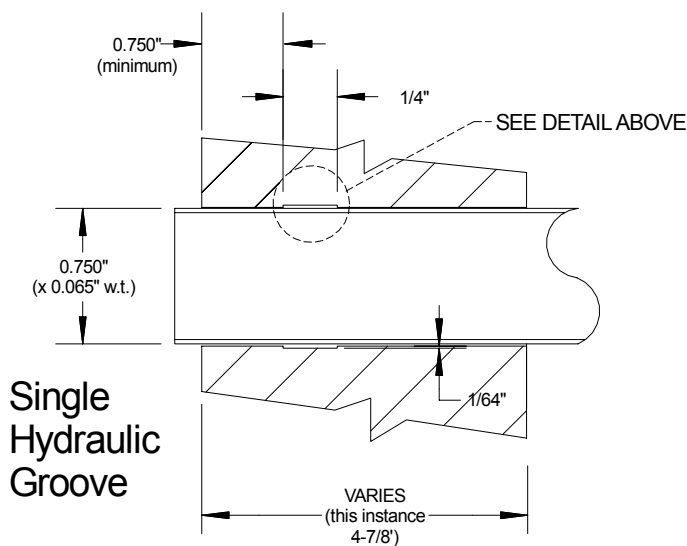
as derived in "A Working Guide

To Shell & Tube Heat Exchangers"

pages 188-189, written by Stanley

Yokell © 1990 McGraw-Hill.

HYDRAULIC GROOVE DESIGN



DWG No. 04112301

by: Russell Wasson

for: Sample Ref. Only

scale: None

GROOVE PLACEMENT